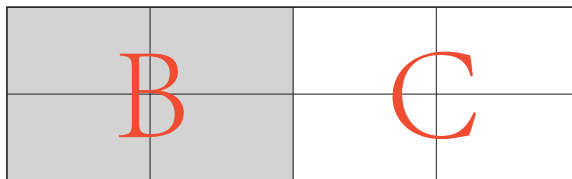
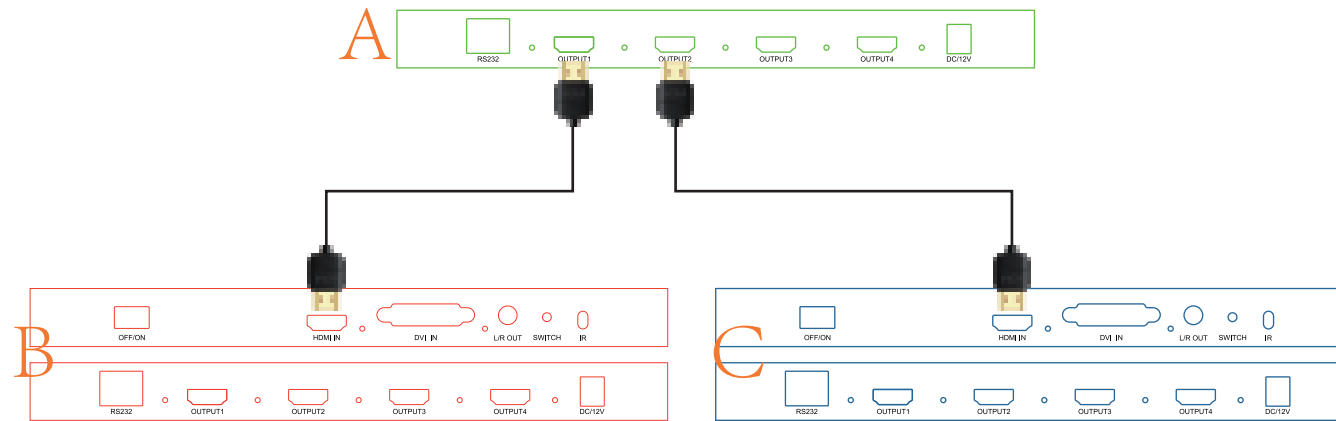


# 2x2 Video wall controller: Cascading mode (Normal mode)

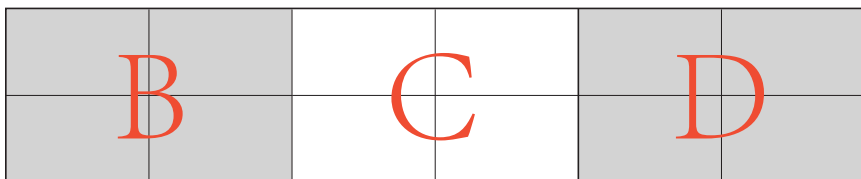
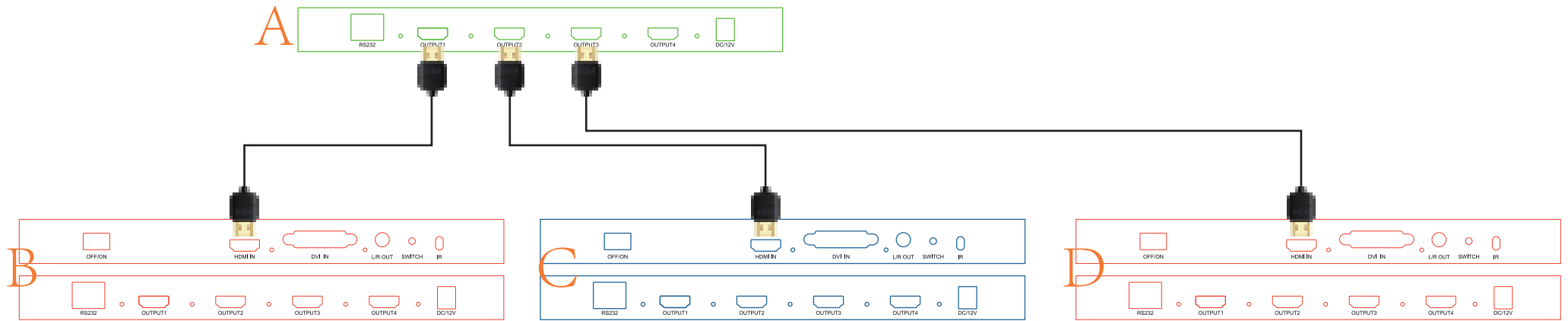
2x4 splicing method (3 units)



Note: Setting unit A splicing mode as **1x2**, unit B&C set as **2x2**

Connect Output 1 of unit A with input port of unit B, connect output 2 of unit A with input port of unit C, Outputs of unit B&C connect with corresponding displays respectively

## 2x6 splicing method (4 units)



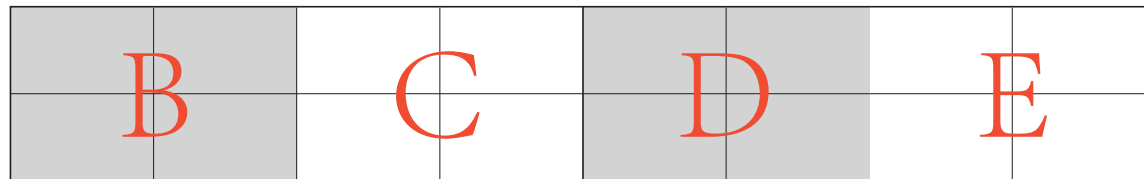
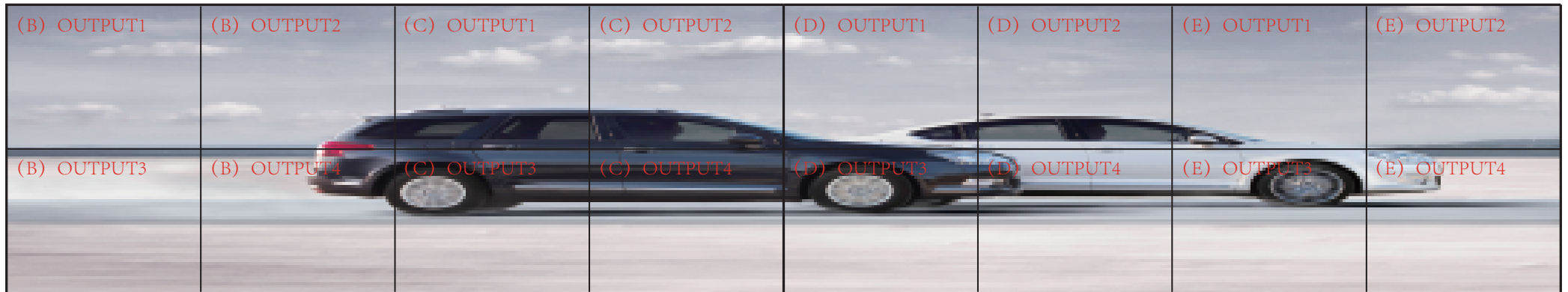
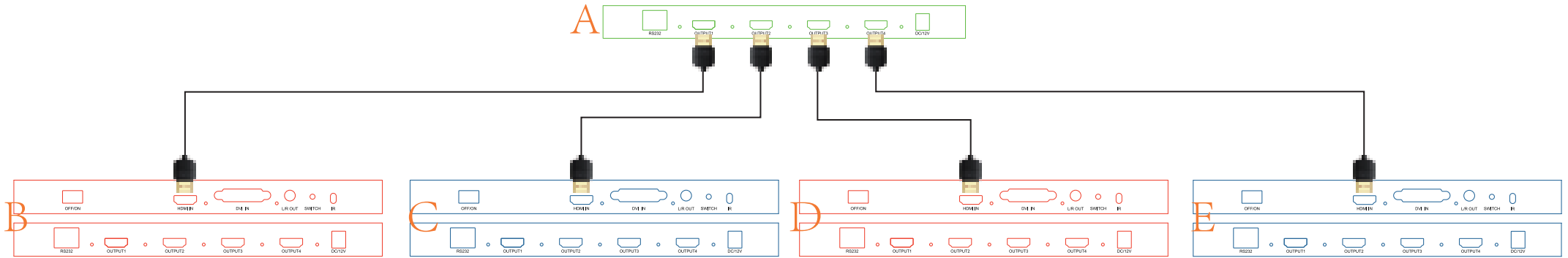
Note: Setting unit A splicing mode as **1x3**, unit B,C,D set as **2x2**

Connect Output 1 of unit A with input port of unit B, connect output 2 of unit A with input port of unit C,

Connect output 3 of unit A with input of unit D.

Outputs of unit B,C,D connect with corresponding displays respectively.

# 2x8 splicing method (5 units)



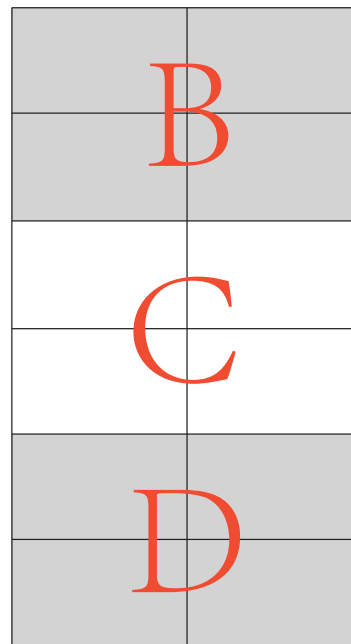
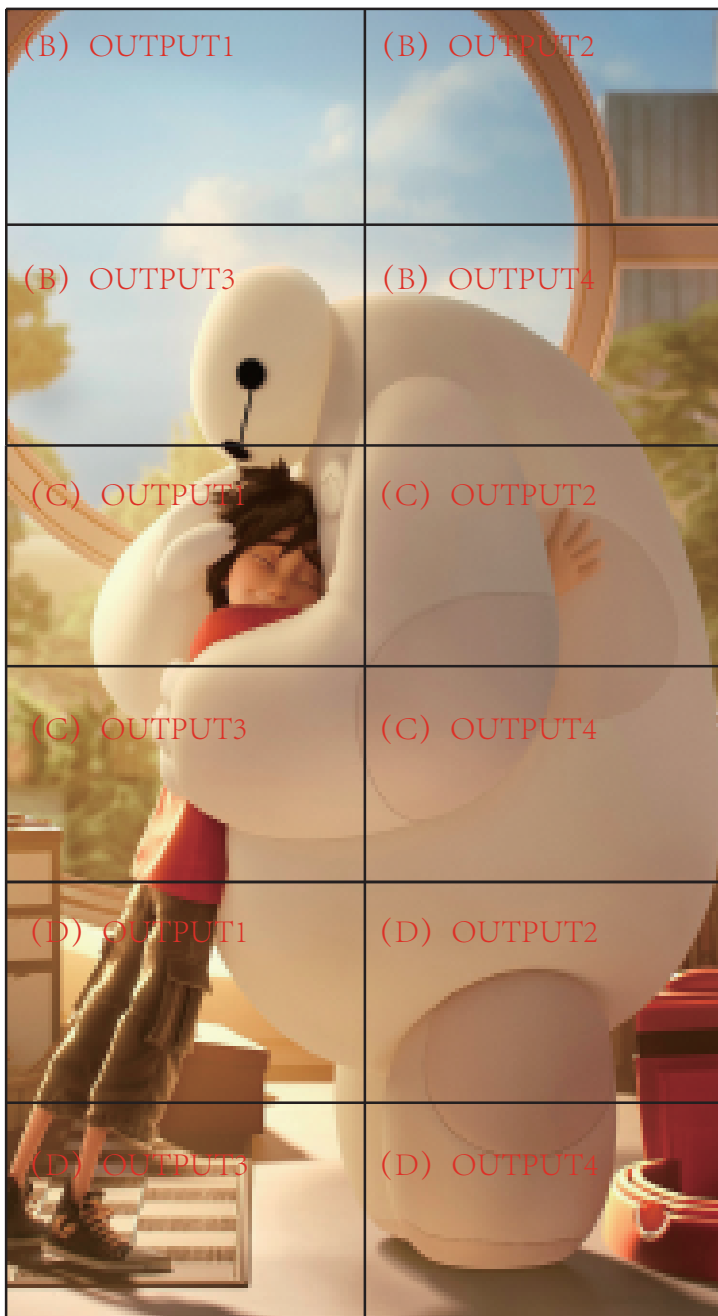
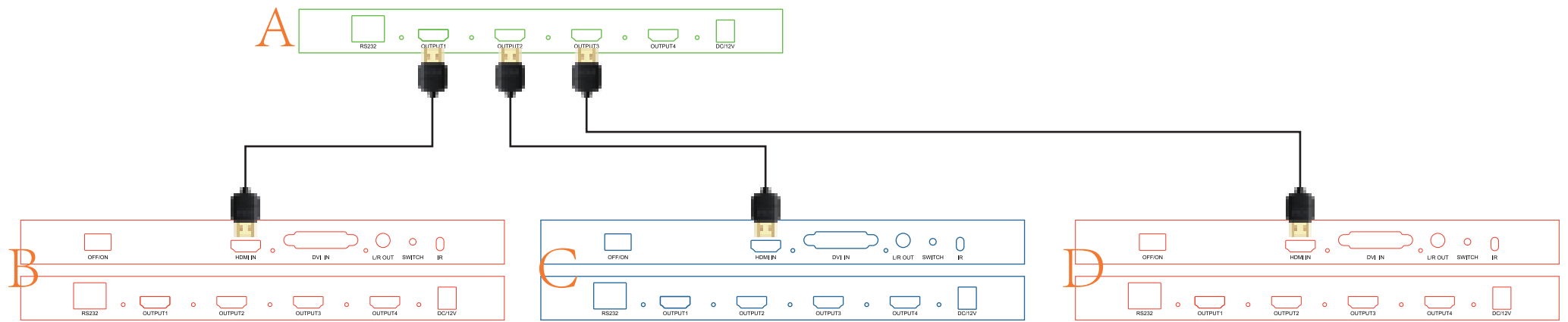
Note: Setting unit A splicing mode as **1x4**, unit B、C、D、E set as **2x2**

Connect Output 1 of unit A with input port of unit B, connect output 2 of unit A with input port of unit C,

Connect output 3 of unit A with input of unit D, connect output 4 of unit A with input of unit E.

Outputs of unit B,C,D,E connect with corresponding displays respectively.

# 6x2 splicing method (4 units)

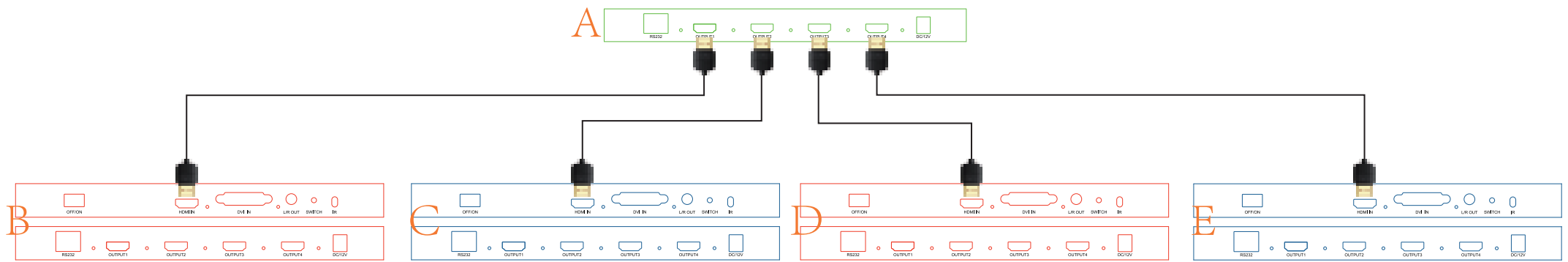


Note: Setting unit A splicing mode as **3x1**, unit B、 C、 D set as **2x2**

Connect Output 1 of unit A with input port of unit B, connect output 2 of unit A with input port of unit C,  
Connect output 3 of unit A with input of unit D.

Outputs of unit B,C,D connect with corresponding displays respectively

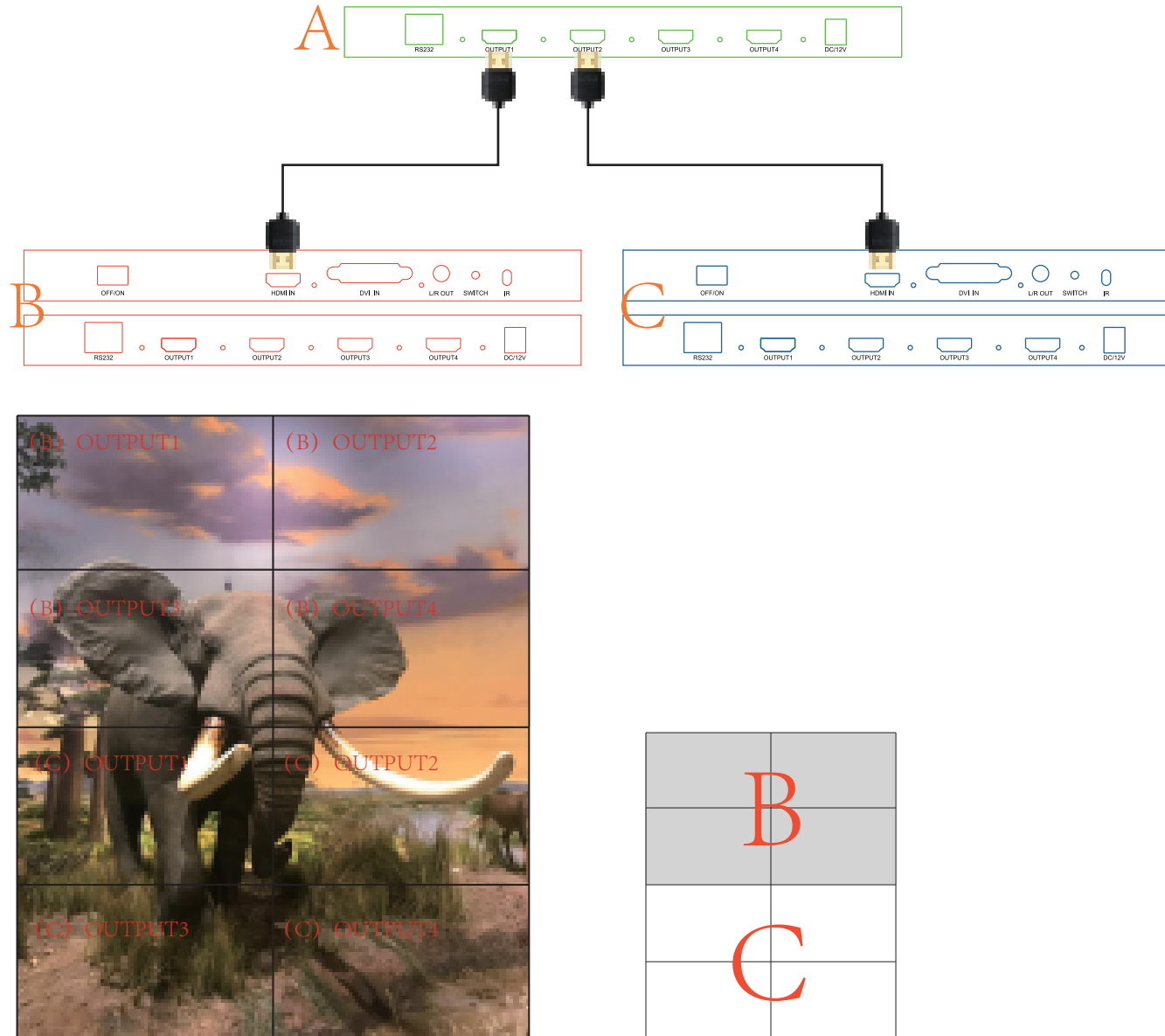
# 8x2 splicing method (5 units)



	B
	C
	D
	E

Note: Setting unit A splicing mode as **4x1**, unit B、C、D、E set as **2x2**  
 Connect Output 1 of unit A with input port of unit B, connect output 2 of unit A with input port of unit C,  
 Connect Output 3 of unit A with input of unit D, connect output 4 of unit A with input of unit E.  
 Outputs of unit B,C,D,E connect with corresponding displays respectively

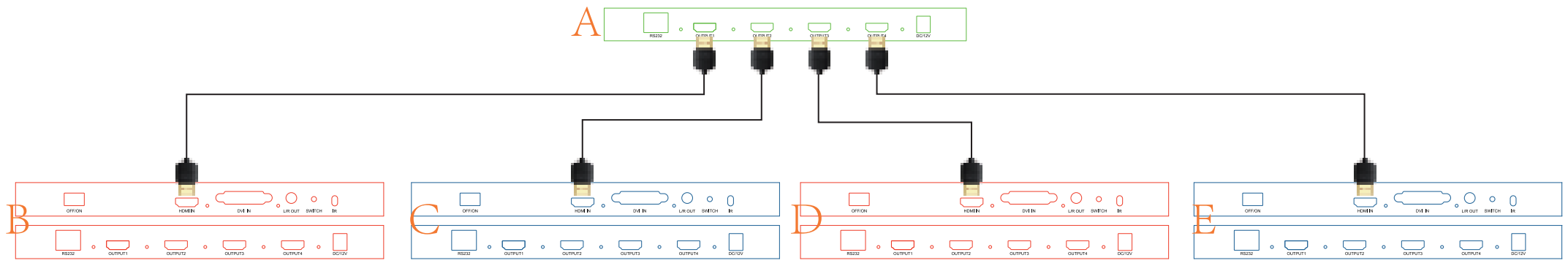
# 4x2 splicing method (3 units)



Note: Setting unit A splicing mode as **2x1**, unit B、C set as **2x2**

Connect Output 1 of unit A with input port of unit B, connect output 2 of unit A with input port of unit C, Outputs of unit B.C connect with corresponding displays respectively.

# 4x4 splicing method (5 units)



B	C
D	E

Note: Setting unit A splicing mode as **2x2**, unit B、C、D、E set as **2x2**

Connect output 1 of unit A with input port of unit B, connect output 2 of unit A with input port of unit C, connect output 3 of unit A with input of unit D, connect output 4 of unit A with input of unit E.

Outputs of unit B,C,D,E connect with corresponding displays respectively.