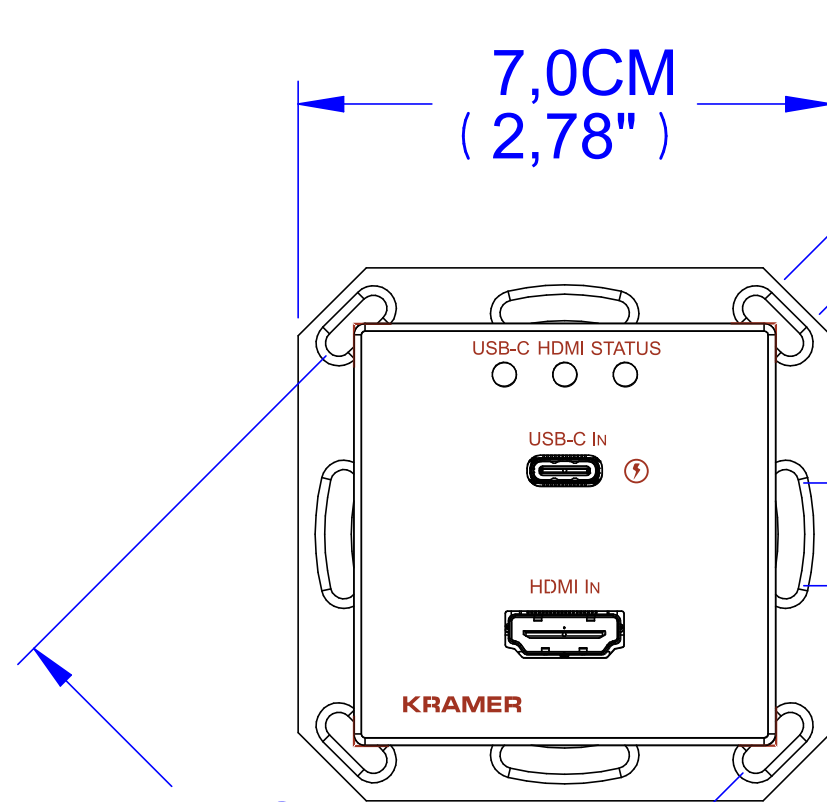


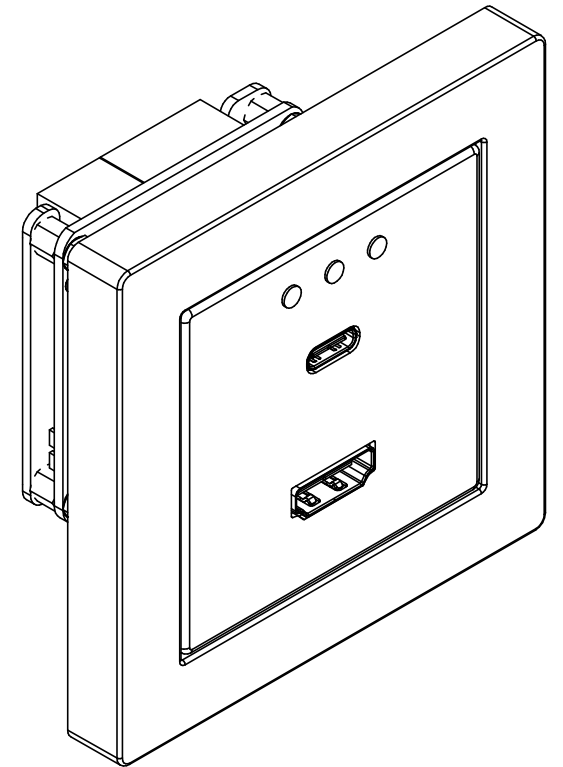
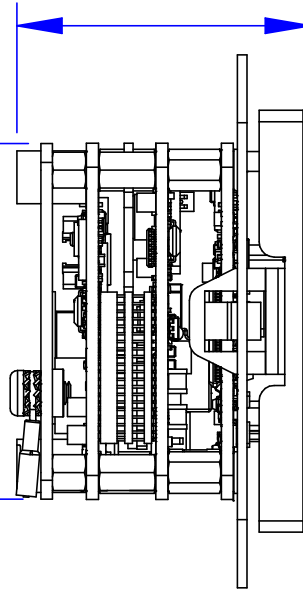
REV.	DESCRIPTION	ECO NO.	UPDATE BY	DATE	APPROVED
A	DRAWING RELEASED	017456	ARKADY	27/04/2021	GLEB D



0,6CM  
(0,26")

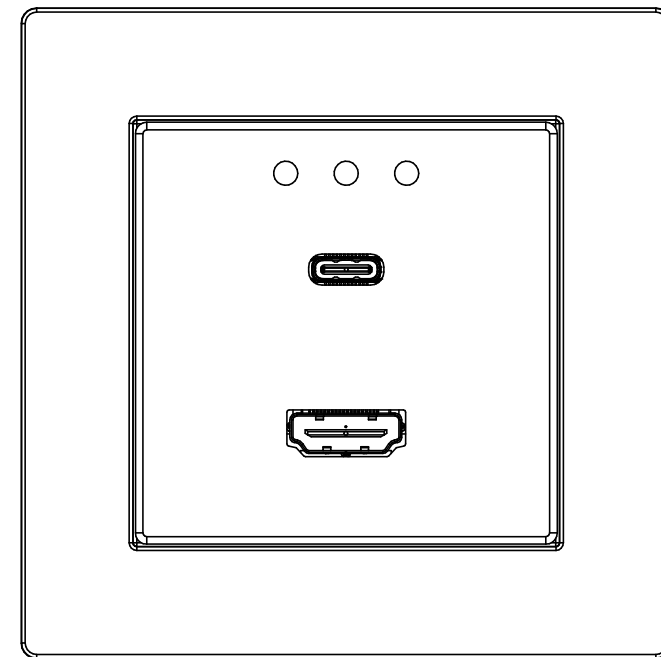
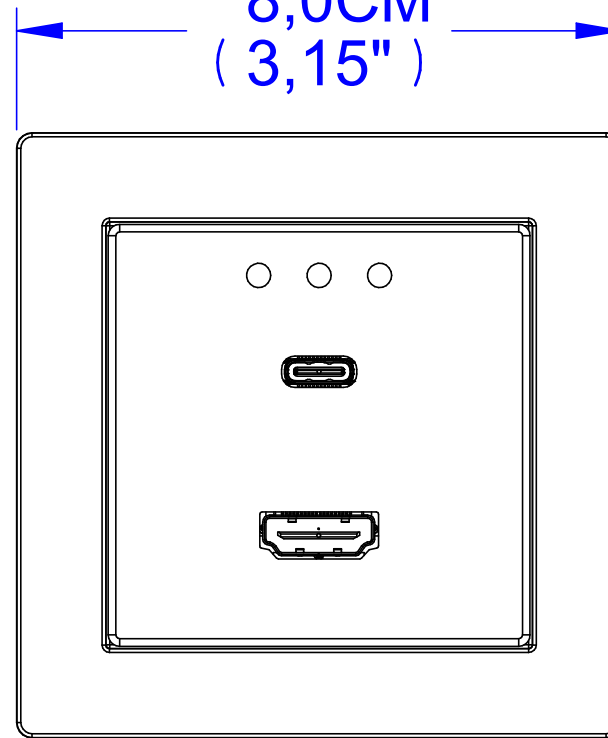
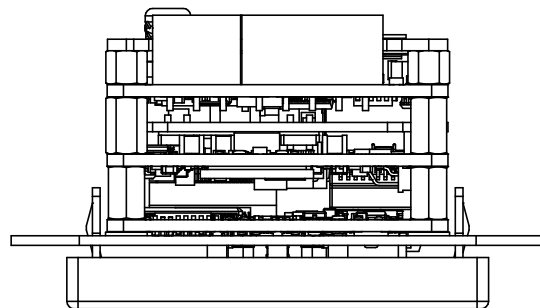
3,9CM  
(1,53")

1,4CM  
(0,54")  
4,7CM  
(1,85") x4



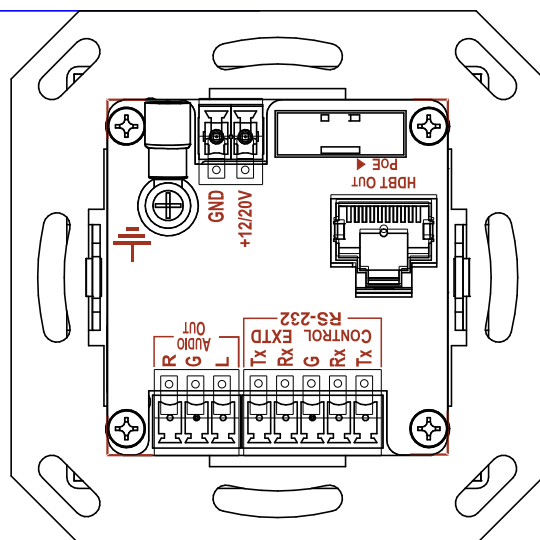
7,8CM  
(3,07")


8,0CM  
(3,15")



8,6CM  
(3,39")

7,0CM  
(2,78")



	NAME	DATE	 <b>KRAMER ELECTRONICS LTD.</b> JERUSALEM, ISRAEL	SIZE <b>A3</b>	KRAMER DRW.: <b>OL000316</b>	REV.
DRAWN	ARKADY	27/04/21				
APPROVED	GLEB D	27/04/21				
SHEET 1 OF 1	Project : <b>WP-20CT EU</b>	