

DS4-8

1 in 2 out DVI spliter x4

Profile

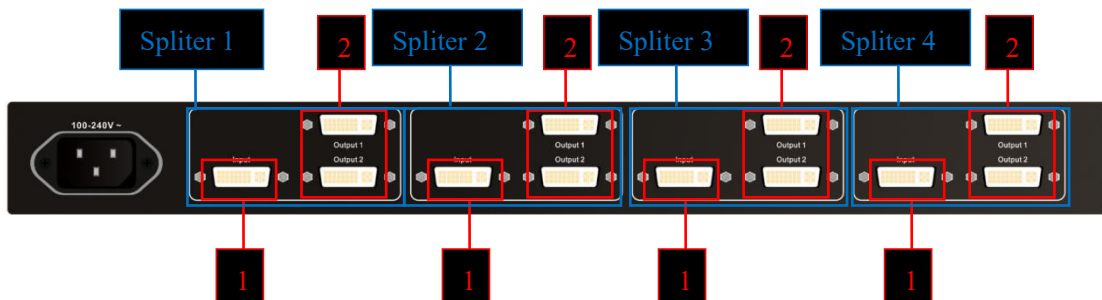


1. Product introduction

DS4-8 is a FHD DVI input split product, supporting any DVI input below 165 MHz. DS4-8 has 4 “1 in and 2 out” spliter, very suitable for working together with VDWall splicers like LVP7000, LVP909 and etc to provide stable DVI signals to double sending cards cascading. Every DVI input of DS4-8 supports DVI-EDID. It can be also used for Graphic cards' DVI splitting and other applications.

2. Hardware connection

4-1 Back panel



4-1 back panel ports

- ① DVI input port ② Double DVI output port

4-2 Typical application connection diagram

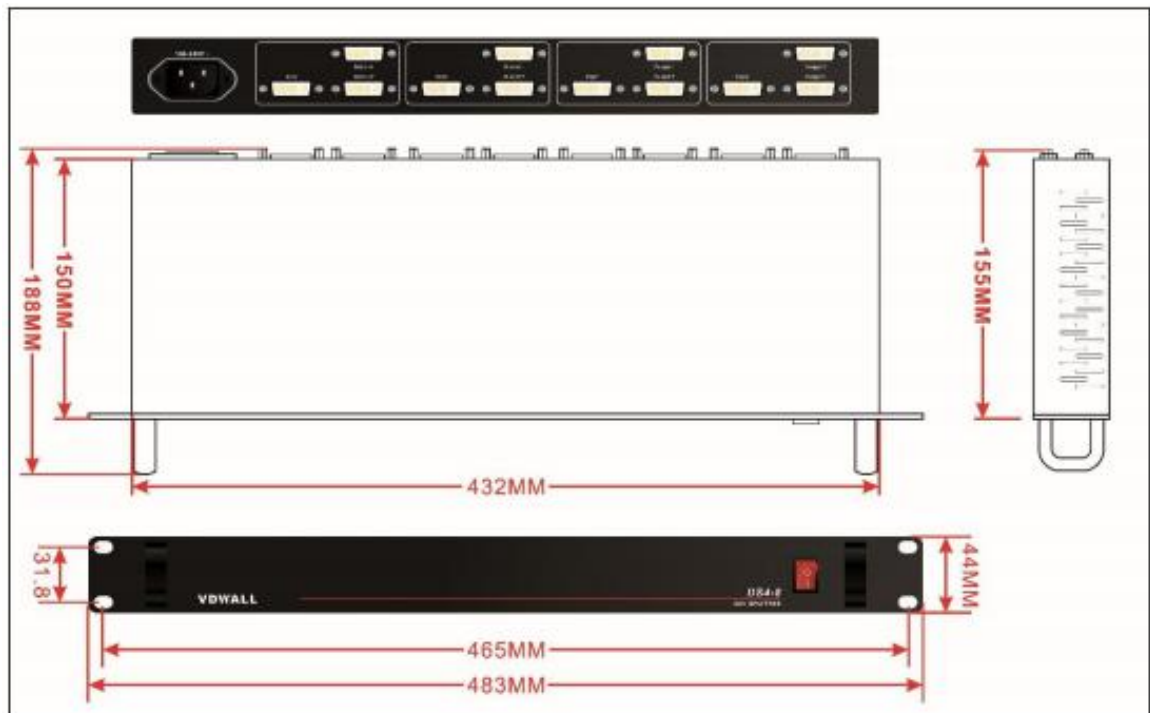


4-2 application connection diagram

4-3 Specifications

Inputs		
Quantity / Type	4×DVI (VESA)	
DVI Format	PC (VESA standard)	≤1920×1200_60Hz
Input connectors	DVI : 24+5 DVI_I	
Signal Amplitude/Impedance	TMDS= 0.5 V (p_p) / 75Ω	
DVI EDID Format	640x480_60/72/75 800x600_60/72/75 1024x768_60/70/75 1152x870_75 1280x720_60 1280x800_60 1280x960_60	1280x1024_60/75 1366x768_60 1440x900_60 1600x1200_60 1680x1050_60 1920x1080_50/60 1920x1200_60
Outputs		
Quantity / Type	8×DVI	
DVI format	PC (VESA standard)	≤1920×1200_60Hz
Output connectors	DVI OUT : 24+5 DVI_I	
Others		
Input Voltage	100-240VAC 50/60Hz	
Power Consumption	≤15W	
Environment Temperature	0-40°C	
Environment Humidity	15-85%	
Product Size	483(L)X150(W)X44 (H) mm	
Package Size	530(L)X250(W)X155 (H) mm	
Weight	GW : 3.5 Kg, NW : 1.9Kg	

4-4 Product dimension



4-3 product dimension