

## SCP Pro Grade 10G RJ45 Field Plug (CAT6A-CAT7)

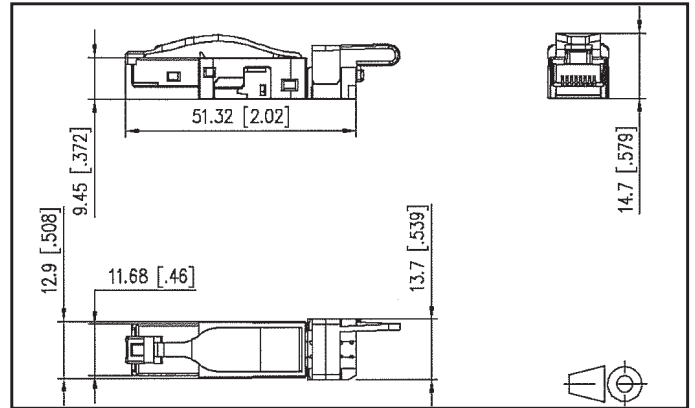
Part No. 10G-FP

www.scpcat5e.com  
sales@scpcat5e.com  
Toll Free: 866-470-5742  
Direct Line: +1-954-327-5770

Page 1/4



Dimensional Drawing



### Product Specifications

- Multi-Port CAT6A class Ea field plug
- Compliance with Class Ea to ISO/IEC 11801 Ed.2.2:2011-06, DIN EN 50173-1:2011-09
- Suitable for 10 GBit Ethernet (IEEE 802.3an), Remote Powering (PoE, PoE plus and UPoE) and HDBaseT
- 8-wire RJ45 plug for AWG 22 to be assemble in the field
- Connection of AWG 26/7-22/7; AWG 26/1-22/1 possible
- Solid copper wire diameter from 0.4 to 0.64 mm
- Stranded copper wire diameter from 0.48 to 0.76 mm
- Conductor Diameter up to 1.6 mm
- Cable Jacket from 5.5 to 8.5
- Consists of only 2 parts
- Easy Assembly - Connection without special tools
- During Mounting, the cable is mechanically fastened to the stuffer cap
- Easy to actuate strain relief
- Strain Relief can be snapped on after assembly as color coding
- Zinc Die-cast housing for industrial use
- Protected Locking Hook
- Can be used as a test plug on IP67 protected jack of variants 1, 4, 5, 6, and 14
- Variants: T568A, T568B, Industry



## SCP Pro Grade 10G RJ45 Field Plug (CAT6A-CAT7)

Part No. 10G-FP

www.scpcat5e.com  
sales@scpcat5e.com  
Toll Free: 866-470-5742  
Direct Line: +1-954-327-5770

### General Data

Fields of application	Industrial Ethernet, Office
Design	Plugs
Shielding	Shielded
Transmission Technology	Copper
Color Dimensions	Black
Dimension (LxWxH)	51.32 x 12.90 x 14.70 mm
Dimension (LxWxH)	2.02 x 0.51 x 0.58 mm
Field assembly ability	yes
Multi-Port Capability	yes
Marking option	Strain Relief

### Transmission Characteristics

Category (ISO)	6
Class (ISO/IEC)	Ea
Category (TIA)	6
Remote Powering	yes
PoE	IEEE 802.3af
PoE plus	IEEE 802.3at
UPoE	yes
HDBaseT	yes
Transmission rate up to 10Gbit	IEEE 802.3an

### Connections/Interfaces

Connector Technology interface 1	IDC-Connection
Connector Technology interface 2	RJ45 plug
Number of Ports interface 2	1
Number of Ports interface 2 equipped	1
Number of positions/contacts interface 1	8
Number of positions/contacts interface 2	8P8C

### Connections/Interfaces

Connector Technology interface 1	IDC-Connection
Connector Technology interface 2	RJ45 plug
Number of Ports interface 2	1
Number of Ports interface 2 equipped	1
Number of positions/contacts interface 1	8
Number of positions/contacts interface 2	8P8C
<b>Termination data, Solid wire (min-max)</b>	
Conductor cross section, solid wire	AWG26/1 - 22/1
Conductor cross section, solid wire	0.128 - 0.324mm <sup>2</sup>
Conductor diameter, solid wire (bare copper)	0.409 - 0.643 mm
Conductor diameter, solid wire (bare copper)	0.016 - 0.025 in
<b>Termination data, stranded wire (min-max)</b>	
Conductor cross section, stranded wire	AWG 26/7-22/7
Conductor cross section, stranded wire	0.141 - 0.355 mm <sup>2</sup>
Conductor diameter, stranded wire (bare copper)	0.483 - 0.762 mm
Conductor diameter, stranded wire (bare copper)	0.019 - 0.030 in
<b>Core Diameter (min-max)</b>	
Core Diameter (conductor with insulation)	1.60 mm
Core Diameter (conductor with insulation)	0.06 in.
<b>Cable sheath diameter (min-max)</b>	
Cable sheath diameter	5.50 - 8.50 mm
Cable sheath diameter	0.22 - 0.33 in.
Cable access/outlet	180°
Reconnectibility	Yes is cross section greater or same
Shield Connection	flexible contact spring

### Electrical Characteristics

Current carrying capacity	max. 1 A
Contact resistance	max. 20 mOhm
Insulation resistance	min. 500 MOhm
Dielectric strength Conductor-conductor (secondary)	min. 1000 V DC
Dielectric strength conductor-shield	min 1500 v DC



## SCP Pro Grade 10G RJ45 Field Plug (CAT6A-CAT7)

Part No. 10G-FP

www.scpcat5e.com

sales@scpcat5e.com

Toll Free: 866-470-5742

Direct Line: +1-954-327-5770

### Mechanical Characteristics

Mounting Method	Snap-in Function
Insertion and withdrawal force	max. 30 N
Life - Number of mating cycles	750
Position/mounting of latch - standard Installation Position	top
Strain Relief	yes

### Materials & Material Properties

Material - Housing	GD-Zn (zinc Die-cast)
Material - Insulation displacement contacts	PhBr (phosphor Bronze)
Material - Finish of insulation displacement contacts	Ni + Au (nickel-gold)
Material - Contact	CuSn (tin bronze)
Material - Contact Finish	Ni-Au (nickel-silver)
Material - Shield	Cu-Ni-Zn (nickel silver)
Material - shield finish	Ni (nickel)
Material - Stuffer Cap	PA UL94-V0
Material - Strain relief	PA UL94-v0
Material - Latch	Plastics

### Approvals

RoHS	Complaint
UL listed (file no.)	DURX.E178484

### This product meets the following Standards

General Cabling Systems	
Generic requirements	ISO/IEC 11801 Ed.2.2:2011-06   DIN EN 50173-1: 2011-09 TIA/EIA 568-B.2-10
Office buildings	ISO/IEC 11801 Ed.2.2:2011-06   DIN EN 50173-2: 2011-09 TIA/EIA 568-C
Industrial Area	ISO/IEC 24702   DIN EN 50173-3 : 2011-09 TIA/EIA 1005
Living Units	ISO/IEC 15018   DIN EN 50173-4 : 2011-09 TIA/EIA 570-B
Expansion of communication circuit Accessories (DUXR) Category Connectors for electronic equipment	UL 1863
Free & Fixed Connectors - Interference Proof	DIN EN 60603-7-51:2011-01
Immunity for Industrial Environments - Emission Proof	DIN EN 61000-6-2:2006-03
Electromagnetic emission for residential,commercial and light-industrial environments	DIN EN 61000-6-3-2011-09
Climate Tests	IEC 60512-11

### Classifications

ETIM 5.0	EC001121
----------	----------

### Environmental Conditions

Temperature (Min-Max)	
Temperature - Storage °C	-30 - 90 °C
Temperature - Storage °F	-22 - 194 °F
Temperature - Operating °C	30 - 90 °C
Temperature - Operating °F	-22 - 194 °F
Particulate Ingress	IP2X
Liquid ingress/immersion	IPX0
Rapid change of Temperature	-40°C bis + 70°C / 25cycles t= 30 min
Damp Heat	+25°C / +77°F + 65°C /+149°F / 93% RH // -10°C / -14°F/ 21cycles
Flowing Mixed Gas	+25°C/+77°F / 73% RH / 4 days, H2S / SO2
Electromagnetic Measurement	E <sub>2</sub>
Vibration	50 m/s <sup>2</sup>
Shock	250 m/s <sup>2</sup>

**SCP Pro Grade 10G RJ45 Field Plug (CAT6A-CAT7)**

Part No. 10G-FP

www.scp5e.com  
sales@scp5e.com  
Toll Free: 866-470-5742  
Direct Line: +1-954-327-5770

