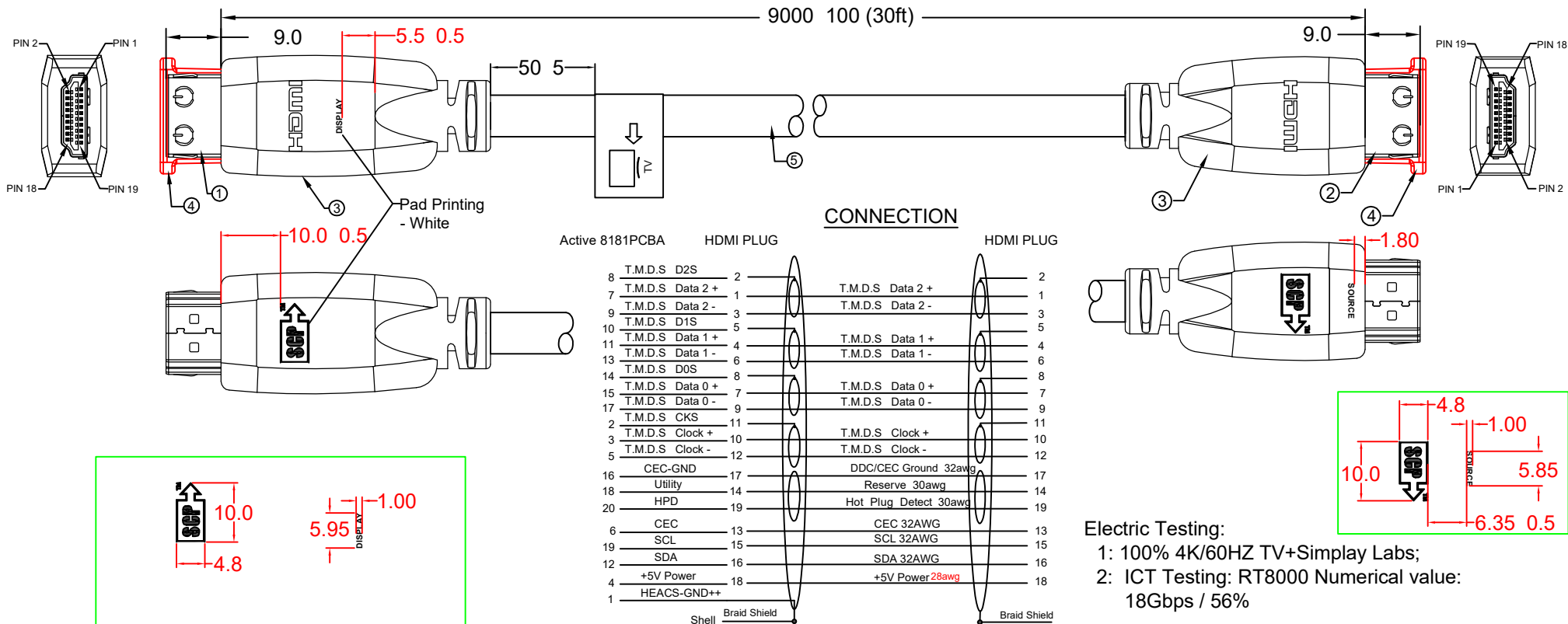




THESE DRAWINGS AND SPECIFICATIONS ARE THE PROPERTY OF **STRUCTURED CABLE PRODUCTS** AND SHALL NOT BE REPRODUCED, COPIED, OR USED IN ANY MANNER WITHOUT THE PRIOR WRITTEN CONCENT OF **STRUCTURED CABLE PRODUCTS**.

REV.	REVISED DESCRIPTION	DATE	CHECKED
A1	FIRST RELEASE	2017.06.01	



4	[[[(1/0.324Bc+HDPE)*1P+1/0.324Tc+AL/Mylar]*4P+[(1/0.324Bc+HDPE)*1P+((1/0.203Bc+HDPE)*1C+AL/Mylar)*1P+(1/0.203Bc+Foamed-PE)*3C+(1/0.324Bc+HDPE)*1C+Filler+AL Mylar+16/13/0.10(85%)Tc Braid]*1C OD=7.5 0.15MM Jacket=Black PVC Jacket with White Text :STRUCTURED CABLE PRODUCTS High Speed HDMI R(logo) Cable With Ethernet E148115-D (UL) c(UL) TYPE CL2 SHIELDED 75!C FT4 28AWG/11C+32AWG/4C (CTI:C16S1309-2)
3	Plastic Cap-Transparent(2312110024) PVC - Black 60P (31401012060 YT-3411/3581 & YT-3492 / YT-3493)
2	HDMI C-Grip Plug - Gold Plated (3033700ACG)
1	HDMI C-grip Plug - Gold Plated(Pin 15u" Gold) (3033700AAG with HT8181 IC)
ITEM	SPECIFICATION

TOLERANCES UNLESS OTHERWISE STATED
X. = 1
.X = 0.2
.XX = 0.1

**SCP** Structured Cable Products™  
Quality Installations Deserve Quality Products

ERP NO.:		Sample No.	
DOC No.:		REVISION	A1
CUSTOMER:	SCP	UNIT	mm
CUSTOMER P/N:	944E-30	SCALE	NO
DESCRIPTION	HDMI 2.0 A/P+8181 Active - HDMI A/P 28/32#	PAGE NO	1/1
APPROVAL		DATE	2017.06.01
CHECKED		DRAWN	CJJ