

Thank you for purchasing our CSV-1384 Product. After unpacking the product, please make sure you have all the items provided and checked for any damages. In case of any missing/damaged parts please inform your supplier immediately.

You should have:

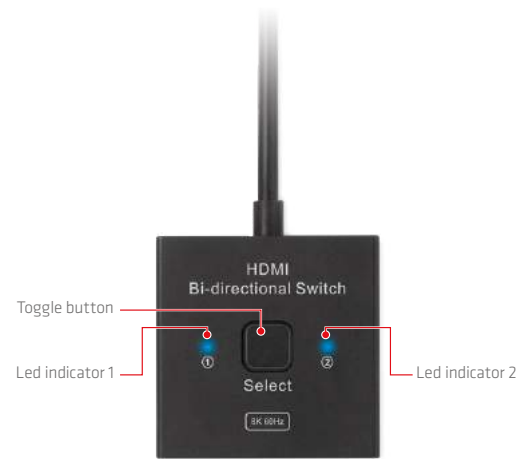
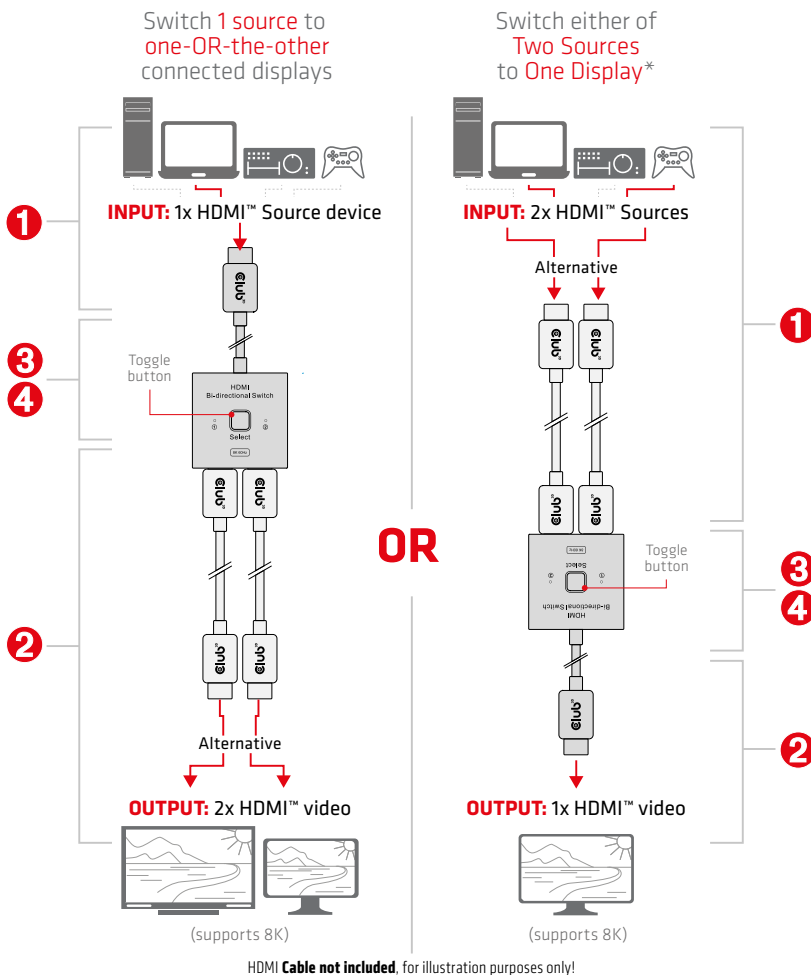
- 1X CSV-1384 HDMI™ 2-in-1 Bi-directional Switch for 8K60Hz or 4K120Hz
- QR Code for downloading the Quick Install Guide (QIG)

The Club 3D CSV-1384 is a HDMI™ 2-in-1 Bi-directional Switch for 8K60Hz or 4K120Hz. It can switch either of two sources to one display or switch one source to either of two displays. Press the switch button to select channel 1 or channel 2. With a piece of 50cm length fixed HDMI™ cable (pigtail), this Switch not only reduces cost but also saves time for customers. This kind of HDMI™ Switcher routes high definition video (in multiple resolutions and up to 8K60Hz) and digital audio from the sources to display units.



4K120Hz **8K60Hz**

How it works: From ► To / To ◀ From



Features

- HDMI™ 2-in-1 Bi-directional Switch for 8K60Hz or 4K120Hz, it can switch either of two sources to one display or switch one source to either of two displays
- Support video resolution up to 7680x4320P@60Hz
- Support HDR
- HDCP pass-through
- support HDMI™2.1
- The toggle button can quickly switch between 2 video sources or 2 monitors, and the blue LED indicators on both sides indicate which port is chosen to work.
- It's suggested to match a HDMI™2.1 cable whose length is better within 3m/9.84 ft

Supported resolutions:

- Up to 8K60Hz or 4K120Hz Depending on source signal

Note:

- Please update your TV Firmware to the version which supports these resolutions/refresh rates!
 - Please update your Graphic drivers on your PC and make sure that DSC1.2 is supported on your devices to support the these resolutions/refresh rates! Please use one of our Extension/Adapter cables to connect to your devices: In case you need assistance to choose the correct cable, please visit our website www.club-3d.com or feel free to mail us at support@club-3d.com and it will be our pleasure to assist you.

• **Warning Safe Usage** - Product Only to be used at altitude 2000 meters/6562 feet and below



Operation Procedures:

1. Decide whether you are going to use this product as a switch or as a splitter
2. Connect the HDMI™ source(s) and HDMI™ display(s) respectively to the input and output ports of the product through HDMI™ Male/Male cables
3. When powered up the switch will default to channel 1
4. You can now switch to the desired channel

Note(s):

- When powered up the switch will default to channel 1
- * It's suggested to match a HDMI™2.1 cable whose length is not exceeding 3m/9.84 ft, when in doubt Please consult your Club 3D representative for support
- The above data is obtained from the internal laboratory of Club 3D, the specific optimal cable length is subject to the actual situation.